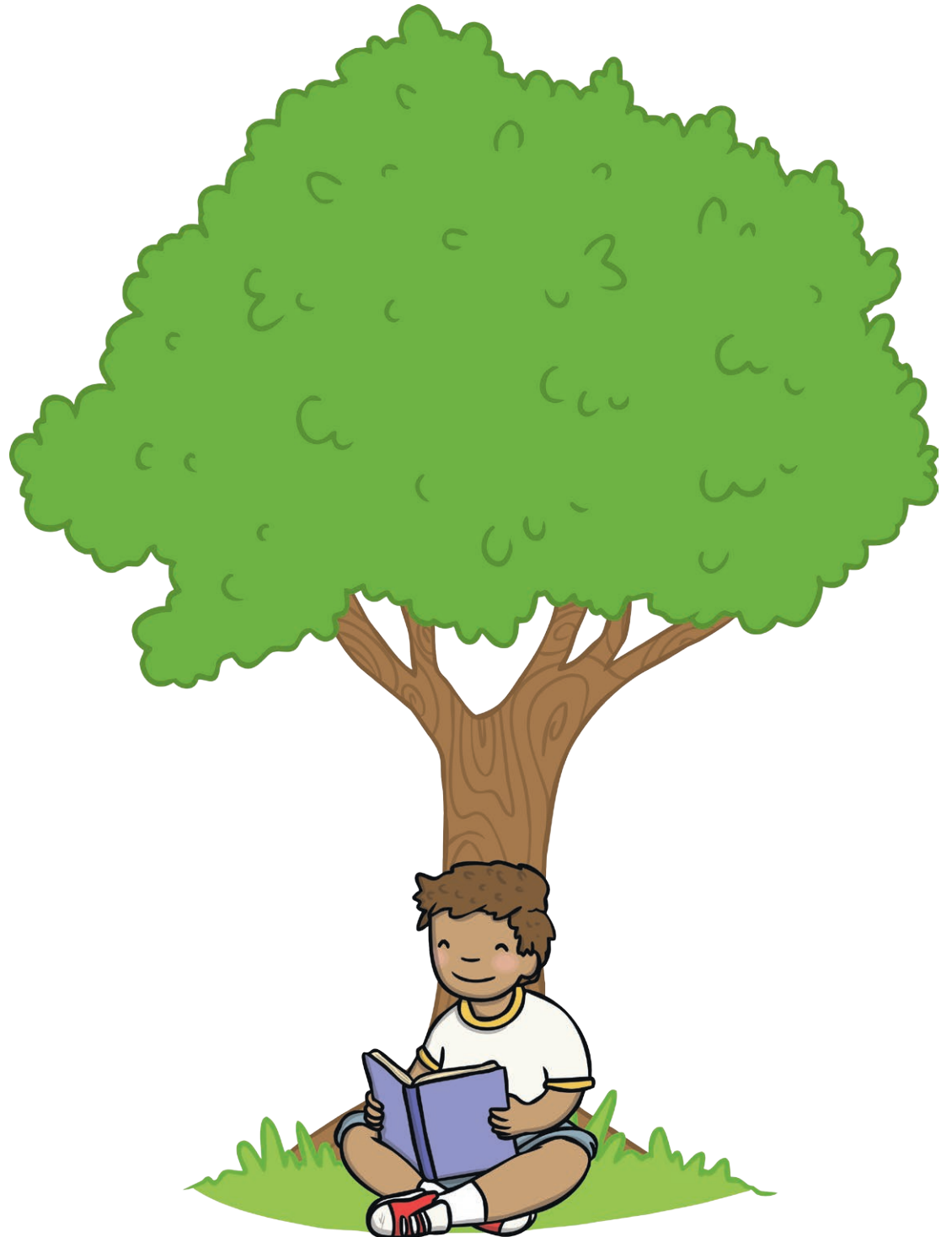


Year 2

Read and Respond

Activity Sheets



The Character Contraption

This crazy machine is where all new story book characters begin their life. Can you add all of the necessary information to make a brand new character to add to your story?

About my character's appearance:

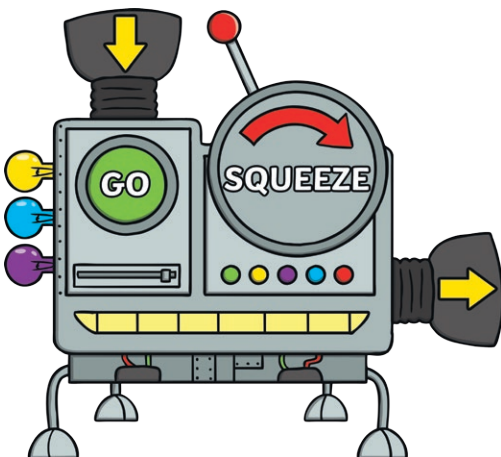
My character lives...

My character's family...

About my character's personality:

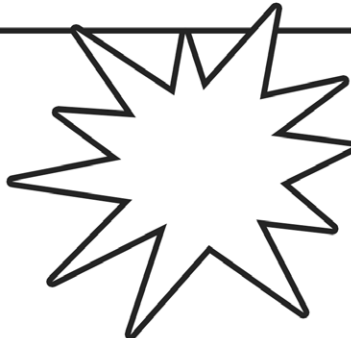
What makes them unique is...

One last thing...



The Comic Creator

Think of a story you have read or one that is from your own imagination. Can you create a comic strip all about it, with pictures and captions that will wow our readers?

twinkl.co.uk

Dead or Alive

Think of the most evil, nasty villain you can from a story you have read. Can you make a wanted poster all about them? Don't forget to include details of their crime and what the public need to watch out for.



WANTED!

Blogging Biography

Your favourite fairytale character has got a blog! Can you write a blog entry for their website about what they've been up to recently? Plan your writing in the book below and then write onto the screen to become a blogging sensation.



Text Talk

Two of the characters from the story you've just read have been texting each other non-stop! Can you write a conversation between your two characters about something that happened in the story?



This phone belongs to:

This phone belongs to:



Blank speech bubble with three horizontal lines for writing.

Blank speech bubble with two horizontal lines for writing.

Blank speech bubble with three horizontal lines for writing.

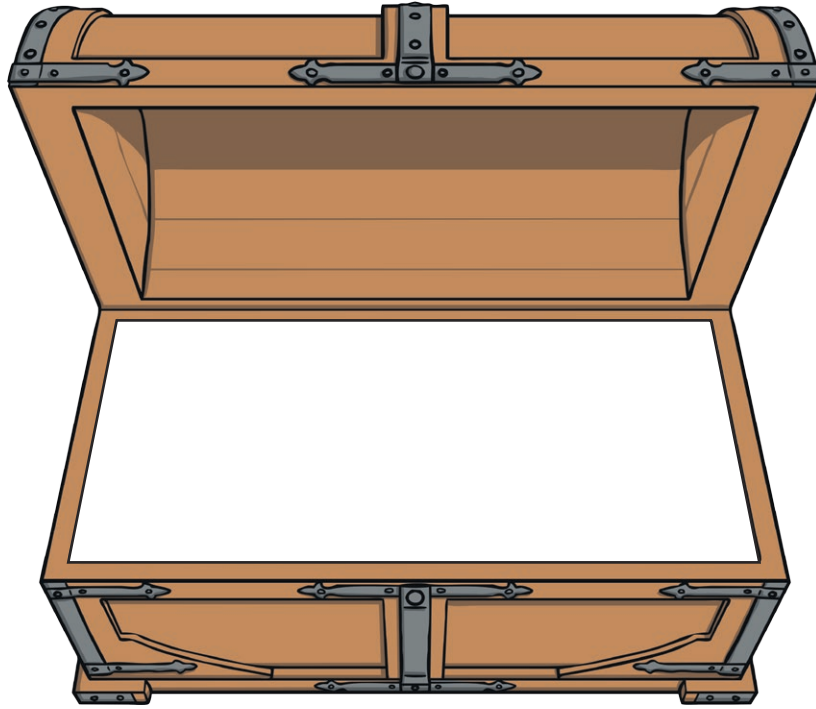
Blank speech bubble with two horizontal lines for writing.

Blank speech bubble with three horizontal lines for writing.

Blank speech bubble with two horizontal lines for writing.

Guess Who

Think about three of the characters from the last story you read. Inside the treasure chest, draw one item that belongs to each character. Then, in the boxes below, write one clue about who each character is. Can an adult correctly guess all of their names and which item belongs to them?



Clue about Character 1:

Clue about Character 2:

Clue about Character 3:

The Honest Reviewer

Can you write an honest book review about your latest read?

Title:

Author:

I would give it



stars

What the book was about:

A short recap of the plot:

A picture of the characters:

The dilemma and how it was resolved:

My favourite part of the book:

Illustrator of the Year

Can you design a new front cover for the last book you read, including a fabulous illustration, the title of the book and the author's name? In the box below, can you write a new blurb? Don't give away the ending!

The image contains two main drawing areas. The first is a large, empty rectangular box with a thick black border, intended for a student to draw a book cover. The second is a smaller rectangular box on the right side, also with a thick black border, containing seven horizontal lines for writing a book blurb.

Cryptic Clues

Using the tricky alphabet code below, can you hide information about the story you have just read by making it top secret? Swap the letters on the top row for the letters on the bottom row to hide the words forever.

Find the real letter and swap it for letter underneath

a	b	c	d	e	f	g	h	i	j	k	l	m	n	o	p	q	r	s	t	u	v	w	x	y	z
z	t	e	f	p	u	k	j	a	o	m	y	h	i	c	s	d	l	r	b	v	x	q	g	n	w

My name is _____

The story is called _____

The main character is _____

The setting is _____

I liked _____

the most.

Out of 10, I score this book... _____

The villain was _____

Adjective Encyclopaedia

Your challenge is to find an adjective for every letter of the alphabet within your reading books. Write them below and say which book you found it in.

a

b

c

d

e

f

g

h

i

j

k

l

m

n

o

p

q

r

s

t

u

v

w

x

y

z